

PLF - VALVOLA DI RITEGNO A PALLA FILETTATA

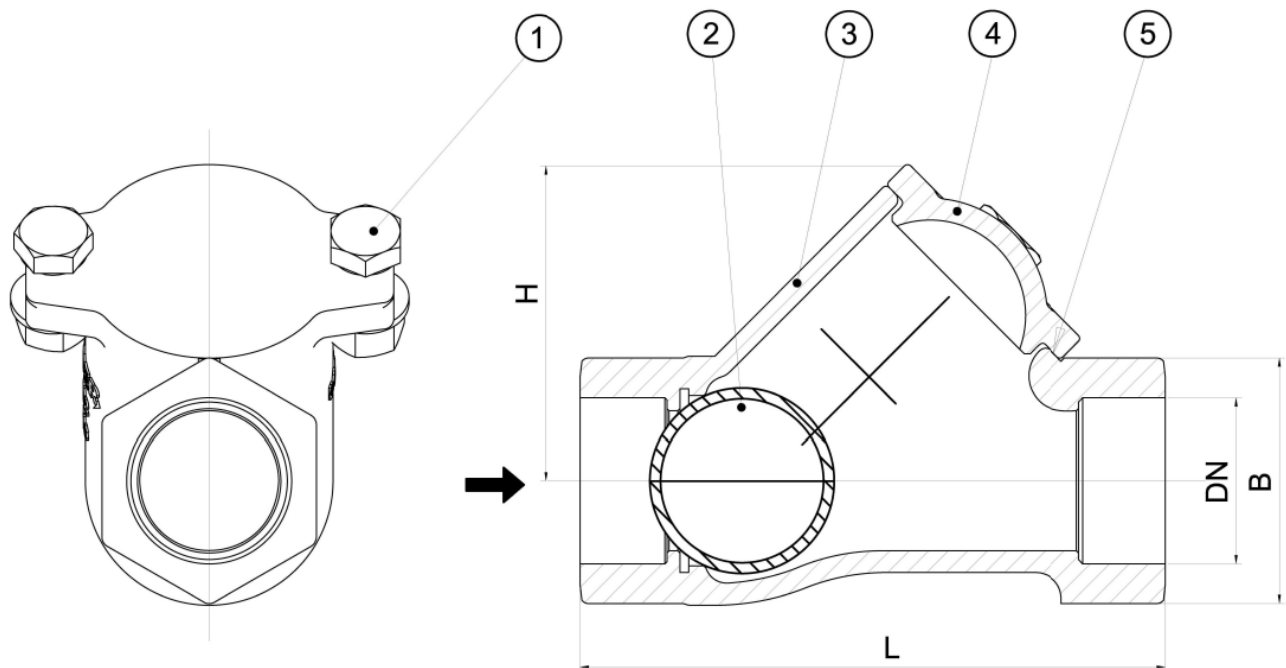


STANDARD MATERIALS OF MAIN PARTS

5	Bonnet Gasket	EPDM
4	Bonnet	Ductile iron GGG50
3	Body	Ductile iron GGG50
2	Ball	Steel+EPDM
1	Bolt	SS304 Stainless steel

- 1.Face to Face according to EN558-1 basic series 48 & DIN3202 F6
- 2.Thread end:BSP.

DATI TECNICI



SIZE		L	B	H
DN	in			
32	1 1/4	135	50	72
40	1 1/2	145	60	85
50	2	175	70	100
65	2 1/2	200	90	125
80	3	248	108	160