

CLP – Valvola di ritegno a clapet “TASK” flangiata – “TASK” swing check valve



NORME | STANDARDS

Progetto / Design	EN 12334-2004
Scartamento / Face to face	BS 5153
Flange / Flanges	EN 1092-2 PN10/PN16
Collaudi / Tests	BS6755 pt. 1

CAMPO DI APPLICAZIONE

Impianti di distribuzione di acqua e fluidi in genere, irrigazione.

APPLICATIONS

Water systems, irrigation.

PRESSIONE DI ESERCIZIO / WORKING PRESSURE

PN 10 – PN 16 bar

TEMPERATURE DI ESERCIZIO / WORKING TEMPERATURES

Da -10 °C a +85 °C
From -10 °C to +85 °C

RIVESTIMENTO / COATING

Rivestimento epossidico di colore blu RAL 5005 legato a fusione. Spessore minimo interno ed esterno 250 µm.

Fusion bonded epoxy coating blue colour RAL 5005 with minimum thickness of 250 µm, internally and externally.

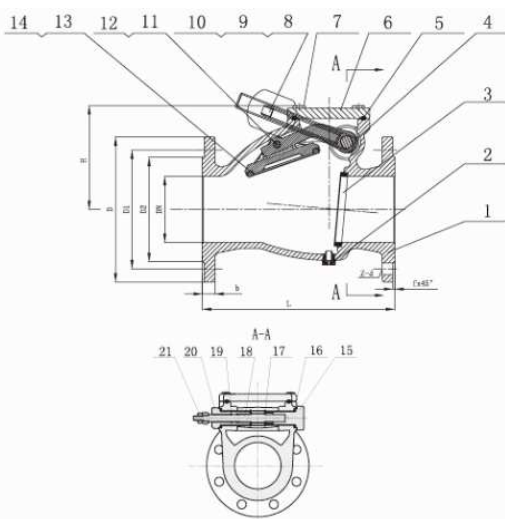
MARCATURE / MARKINGS

Le marcature sul corpo e sul disco sono ottenute di fusione. Logo TASK e specifiche di prodotto su targhetta metallica rivettata.

Body and disc markings are made during casting process. TASK Logo and product specifications on riveted metal plate.

MATERIALI E DIMENSIONI

Materials and dimensions



COMPONENTI / PARTS | MATERIALI / MATERIALS

No.	Name	Material
1	Body	Ductile Iron, BS EN1563 EN-GJS-500-7
2	Drain Plug	Stainless Steel
3	Body Seal Ring	Brass, BS EN12165 CW617N, or Bronze, BS EN1982 CC491K
4	Hinge	Ductile Iron, BS EN1563 EN-GJS-500-7
5	O-ring	Rubber, EPDM
6	Bonnet	Ductile Iron, BS EN1563 EN-GJS-500-7
7	Bonnet Bolts	Stainless Steel
8	Lever	Ductile Iron, BS EN1563 EN-GJS-500-7
9	Weight	Ductile Iron, BS EN1563 EN-GJS-500-7
10	Lever Screw	Stainless Steel
11	Hinge Pin	Stainless Steel
12	Clip	Stainless Steel
13	Disc	Ductile Iron, BS EN1563 EN-GJS-500-7
14	Disc Seal Ring	Brass, BS EN12165 CW617N, or Bronze, BS EN1982 CC491K
15, 20	Side Plug	Forged Brass, BS EN12165 CW617N, or Ductile Iron, BS EN1563 EN-GJS-500-7
16	Bonnet Gasket	Rubber, EPDM
17	Washer	Stainless Steel
18	Shaft	Stainless Steel, BS EN10088-3
19	O-ring	Rubber, EPDM
21	Nut	Stainless Steel

DN	L [mm]	D [mm]	D1 [mm]	D2 [mm]	b [mm]	f [mm]	Z-Ød [n-mm]	H [mm]	P [kg]
50	203	165	125	99	19	3	4-Ø18	120	13,0
65	216	185	145	118	19	3	4-Ø18	130	14,0
80	241	200	160	132	19	3	8-Ø18	140	18,5
100	292	220	180	156	19	3	8-Ø18	160	25,5
125	330	250	210	184	19	3	8-Ø18	180	38,0
150	356	285	240	211	19	3	8-Ø18	200	45,0
200	495	340	295	266	20	3	12-Ø22	250	81,0
250	622	405	355	319	22	3	12-Ø26	290	132,0
300	698	460	410	370	24,5	4	12-Ø26	330	177,0